



The Cold Standard

Bulletin 503.4A
April 2003
(Replaces 503.4 • 3/02)

Remote Indoor Compressor Units

SRN - Semi-Hermetic Compressor

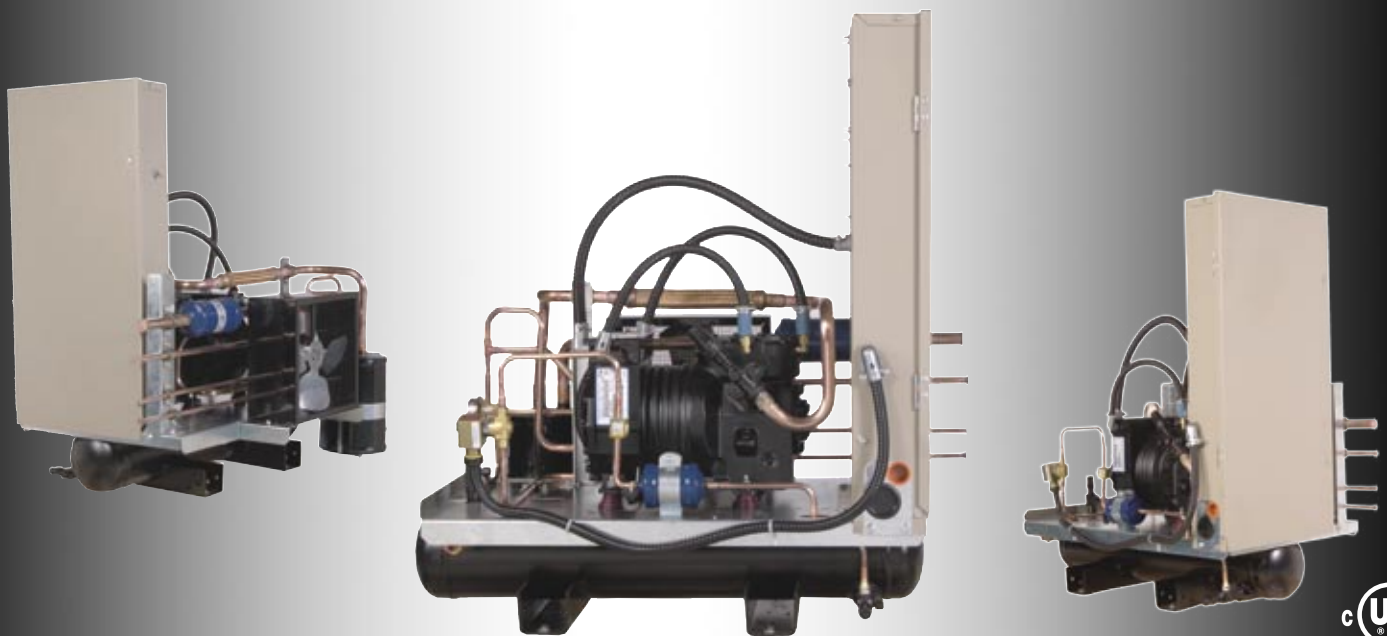
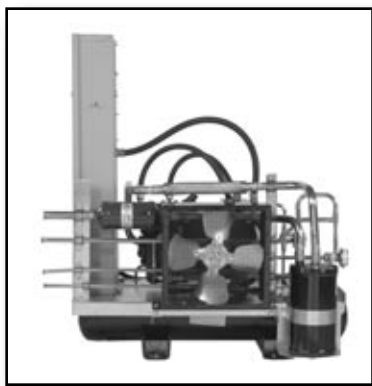


Table of Contents

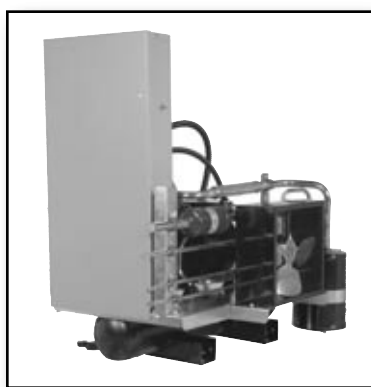
Nomenclature	2
Features & Benefits	3-4
Performance Data, High & Med. Temp.	5
Performance Data, Low Temp.....	6
Electrical Data	7-8
Physical Data	9-10

Nomenclature						
S	R	N	0500	H	2	C
Semi-Hermetic	Remote	Indoor	Model Size	Application H = High Temp M = Med Temp L = Low Temp E = Extra Low Temp	2 = R22 6 = R404A	Voltage B = 208-230/1/60 G = 230/1/60 C = 208-230/3/60 D = 460/3/60 E = 575/3/60



- Pre-bent tubing reduces the possibility of leaks
- Vibration eliminators on spring mounted compressors
- Fixed low pressure switch (adjustable on low temp models)
- Fixed high pressure switch
- Easy access refrigerant piping
- Pressure relief valve

- More spacious, pre-painted electrical box
- Pump down switch
- 230 volt transformer on 460 volt models



- Semi-Hermetic Compressors
- Captive door fasteners
- Single electrical connection location
- Shipped with dry nitrogen charge
- Heavy duty, newly designed base plate
- Plastic conduit on all wiring runs
- Receiver sized for 100 feet of liquid line capacity

Note: SRN pictured with optional suction accumulator, liquid solenoid valve and permanent suction filter and head pressure valve.

Standard Features & Factory Installed Options

The indoor SRN remote compressor was specifically designed for use in supermarket, restaurant, warehouse and other commercial and industrial applications. The design focuses on ease of installation and maintenance along with the flexibility to fit most application requirements.

Standard Features

- Fixed low pressure switch (adjustable on low temp models)
- Fixed high pressure switch
- Pump down switch
- Compressor contactor and control circuit fusing
- 230V transformer on 460V units
- The design of the electrical box allows for it to be removed providing convenient front access to oil pump and compressor
- The electrical box comes in two sizes. The large 29 1/4" tall box is standard when defrost components are selected - otherwise, the 16 3/4" tall box comes standard
- Sealed liquid line filter drier and sight glass
- Oil pressure switch (when required)
- Liquid receiver with shut off valve, charging port and pressure relief device
- Solid mounted compressors up to model 0400
- Spring mounted compressors on 0499 models and above

Factory Installed Options

- Dual Pressure Switch
- Oil Separator with Check Valve and Hand Valve
- Compressor and Control Circuit Breaker
- Two Tier Rack
- Vibration Eliminators
- Suction Accumulator
- Sealed Suction Filter
- Replaceable Core Suction Filter (0300-2200)
- Replaceable Core Liquid Filter (0300-2200)
- Liquid Line Solenoid Valve
- Spring mount with vibration eliminators (standard on models 0499 and above)
- Crankcase Heater
- Air Defrost Timer
- Electric Defrost Timer
- Remote Load Fusing
- Fixed Head Pressure

HIGH AND MEDIUM TEMP R-22 MODELS

120°F CONDENSING TEMPERATURE, 8°F SUBCOOLING

R-22 MODEL	COMPRESSOR	CAPACITY BTU/HR					
		SUCTION TEMPERATURE					
		15°F	20°F	25°F	30°F	35°F	40°F
SRN0075H2	KAN1-0075	4460	5190	5970	6810	7730	8750
SRN0075M2	KAE1-0075	5580	6320	7110	—	—	—
SRN0090H2	KARA-010E	6560	7420	8360	9390	10500	11800
SRN0100H2	KAM1-0100	7460	8480	9580	10820	12060	13570
SRN0150H2	KAGA-0150	8430	9630	10920	12270	13830	15550
SRN0200H2	ERA1-0200	8790	10920	13100	15600	18200	21160
SRN0200M2	ERC1-0200	13100	15080	17260	—	—	—
SRN0300H2	ERF1-0311	20070	22670	25580	28700	32030	35780
SRN0400H2	NRB2-0400	26520	30780	35260	40040	45340	51220
SRN0499H2	2DC3-050E	31620	36300	41290	46700	52520	58860
SRN0500H2	2DD3-050E	37340	42640	48320	54390	61050	68220
SRN0750H2	2DL3-075E	48050	54500	61380	68850	76860	85590
SRN0760H2	2DA3-075E	54290	61780	69680	78000	86940	96510
SRN0761H2	3DA3A075E	67390	75710	84740	94430	105040	116480
SRN1000H2	3DB3A100E	81020	90690	101120	112320	124800	138320
SRN1500H2	3DS3A150E	108160	120640	134160	148720	165360	182000
SRN2000H2	4DA3-200E	114090	127920	143520	161200	179920	200720

MEDIUM TEMP R-404A MODELS

120°F CONDENSING TEMPERATURE, 8°F SUBCOOLING

R-404A MODEL	COMPRESSOR	CAPACITY BTU/HR					
		SUCTION TEMPERATURE					
		15°F	20°F	25°F	30°F	35°F	40°F
SRN0090M6	KARA-010E	6910	7780	8880	—	—	—
SRN0199M6	KAKA-020E	11450	12850	14150	—	—	—
SRN0200M6	ERCA-021E	14470	16310	18480	—	—	—
SRN0310M6	ERFA-031E	21380	24080	27080	—	—	—
SRN0500M6	2DC3-050E	33050	37370	42030	47090	52600	58540

For additional capacity sizes and options, please contact an Account Engineer at 770-465-5600.

Performance Data - Low Temperature Models

LOW TEMP R-404A MODELS

110°F CONDENSING TEMPERATURE, 6°F SUBCOOLING

R-404A MODEL	COMPRESSOR	CAPACITY BTU/HR					
		SUCTION TEMPERATURE					
		-40°F	-30°F	-25°F	-20°F	-10°F	0°F
SRN0150L6	KALA-016E	2790	4620	5510	6470	8480	11020
SRN0200L6	EADA-020E	3240	5130	6150	7310	9960	13250
SRN0210L6	EAVA-021E	3720	5610	6890	8270	11550	15370
SRN0310L6	LAHA-032E	5300	8790	10920	13250	18660	24910
SRN0310E6	LACA-032E	7930	11960	14310	17070	—	—
SRN0311L6	2DF3-030E	9250	13760	16320	19080	25330	32860
SRN0400L6	2DL3-040E	11670	16890	19820	23110	30530	39330
SRN0599L6	2DA3-060E	13860	19840	23110	26710	34870	44630
SRN0600L6	2DB3-060E	14580	21030	24700	28620	37520	48120
SRN0601L6	3DA3A060E	17190	24080	27980	32330	42080	53640
SRN0750L6	3DB3A075E	20490	28810	33390	38370	49710	63280
SRN0900L6	3DF3A090E	25140	35020	40700	46850	60950	77800
SRN1000L6	3DS3A100E	28520	39690	46000	52890	68260	86180
SRN1500L6	4DL3-150E	39900	55780	64020	72720	92330	116390
SRN2200L6	4DT3-220E	45370	65300	75790	86710	110880	138750

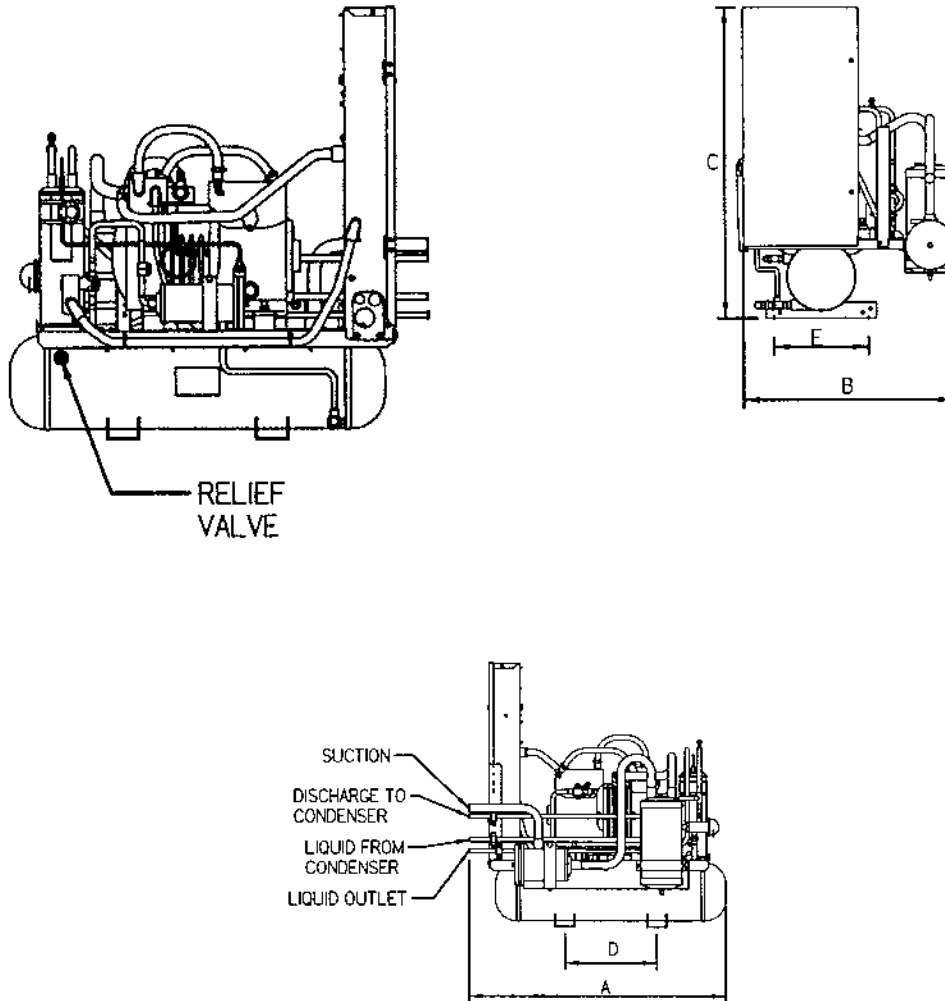
For additional capacity sizes and options, please contact an Account Engineer at 770-465-5600.

Model Number	Power Supply	Compressor			Air Defrost		Electric Defrost - Low Amps				Electric Defrost - High Amps			
		Model	RLA	LRA	MCA	MOPD	Defrost Heater Amps	Evap. Fan Amps	MCA	MOPD	Defrost Heater Amps	Evap. Fan Amps	MCA	MOPD
SRN0075H2B	208-230/1/60	KAN2-0075	5.4	36.0	15.0	15	10	3	15.0	15	—	—	—	—
SRN0075H2C	208-230/3/60	KAN1-0075	3.1	19.9	15.0	15	10	3	15.0	15	—	—	—	—
SRN0075M2B	208-230/1/60	KAE2-0075	4.9	36.0	15.0	15	10	3	15.0	15	—	—	—	—
SRN0075M2C	208-230/3/60	KAE1-0075	3.0	19.9	15.0	15	10	3	15.0	15	—	—	—	—
SRN0090H2B	208-230/1/60	KARB-010E	6.4	40.0	15.0	15	10	3	15.0	15	—	—	—	—
SRN0090H2C	208-230/3/60	KARA-010E	3.8	27.0	15.0	15	10	3	15.0	15	—	—	—	—
SRN0090M6B	208-230/1/60	KARB-010E	6.4	40.0	15.0	15	10	3	15.0	15	—	—	—	—
SRN0090M6C	208-230/3/60	KARA-010E	3.8	27.0	15.0	15	10	3	15.0	15	—	—	—	—
SRN0100H2B	208-230/1/60	KAM2-0100	6.7	40.0	15.0	15	10	3	15.0	15	—	—	—	—
SRN0100H2C	208-230/3/60	KAM1-0100	4.0	27.0	15.0	15	10	3	15.0	15	—	—	—	—
SRN0100H2D	460/3/60	KAM1-0100	1.0	13.5	15.0	15	10	3	15.0	15	—	—	—	—
SRN0150H2B	208-230/1/60	KAGB-0150	8.6	55.0	15.0	15	20	6	25.0	25	40	12	50	50
SRN0150H2C	208-230/3/60	KAGA-0150	4.9	35.5	15.0	15	20	6	25.0	25	—	—	—	—
SRN0150H2D	460/3/60	KAGA-0150	2.2	18.2	15.0	15	10	3	15.0	15	—	—	—	—
SRN0150L6B	208-230/1/60	KALB-015E	8.9	55.0	15.0	20	20	6	25.0	25	—	—	—	—
SRN0150L6C	208-230/3/60	KALA-016E	5.0	50.0	15.0	15	20	6	25.0	25	—	—	—	—
SRN0150L6D	460/3/60	KALA-016E	3.1	25.0	15.0	15	10	3	15.0	15	—	—	—	—
SRN0199M6B	208-230/1/60	KAKB-021E	9.1	55.0	15.0	20	20	6	25.0	25	40	12	50	50
SRN0199M6C	208-230/3/60	KAKA-020E	5.8	50.0	15.0	15	20	6	25.0	25	—	—	—	—
SRN0200H2C	208-230/3/60	ERA1-0200	5.9	46.0	15.0	15	20	6	25.0	25	—	—	—	—
SRN0200H2D	460/3/60	ERA1-0200	3.1	46.0	15.0	15	10	3	15.0	15	—	—	—	—
SRN0200H2E	575/3/60	ERA1-0200	3.1	23.0	15.0	15	8	3	15.0	15	—	—	—	—
SRN0200H2G	230/1/60	ERA2-0200	9.3	58.0	15.0	20	20	6	25.0	25	40	12	50	50
SRN0200L6G	230/1/60	EADB-021E	8.0	58.0	15.0	20	20	6	25.0	25	—	—	—	—
SRN0200L6C	208-230/3/60	EADA-020E	6.1	46.0	15.0	15	20	6	25.0	25	—	—	—	—
SRN0200M2C	208-230/3/60	ERC1-0200	6.1	46.0	15.0	15	20	6	25.0	25	—	—	—	—
SRN0200M2D	460/3/60	ERC1-0200	3.3	23.0	15.0	15	10	3	15.0	15	—	—	—	—
SRN0200M2G	230/1/60	ERC2-0200	9.7	58.0	15.0	20	20	6	25.0	25	40	12	50	50
SRN0200M6C	208-230/3/60	ERCA-021E	7.9	46.0	15.0	15	20	6	25.0	25	—	—	—	—
SRN0210L6B	208-230/1/60	EAVB-021E	13.2	102.0	20.0	25	20	6	25.0	35	—	—	—	—
SRN0210L6C	208-230/3/60	EAVA-021E	6.6	50.0	15.0	15	20	6	25.0	25	—	—	—	—
SRN0210L6D	460/3/60	EAVA-021E	2.9	26.6	15.0	15	10	3	15.0	15	—	—	—	—
SRN0210L6E	575/3/60	EAVA-021E	2.8	20.0	15.0	15	8	3	15.0	15	—	—	—	—
SRN0300H2G	230/1/60	ERF2-0310	15.6	86.0	20.0	35	20	6	25.5	40	40	12	50	50
SRN0300H2C	208-230/3/60	ERF1-0311	11.2	82.0	15.0	25	20	6	25.0	30	40	12	50	50
SRN0300H2D	460/3/60	ERF1-0311	5.2	41.0	15.0	15	10	3	15.0	15	20	6	25	25
SRN0300H2E	575/3/60	ERF1-0300	4.7	30.0	15.0	15	8	3	15.0	15	16	5	20.0	20
SRN0310E6G	230/1/60	LACB-032E	13.9	105.0	20.0	30	20	6	25.0	35	40	12	50	50
SRN0310E6C	208-230/3/60	LACA-032E	11.5	112.0	15.0	25	20	6	25.0	30	40	12	50	50
SRN0310E6D	460/3/60	LACA-032E	5.4	56.0	15.0	15	10	3	15.0	15	20	6	25	25
SRN0310L6G	230/1/60	LAHB-032E	15.0	105.0	20.0	30	20	6	25.0	35	40	12	50	50
SRN0310L6C	208-230/3/60	LAHA-032E	11.5	112.0	15.0	25	20	6	25.0	30	40	12	50	50
SRN0310L6D	460/3/60	LAHA-032E	5.4	56.0	15.0	15	10	3	15.0	15	20	6	25	25
SRN0310L6E	575/3/60	LAHA-032E	3.7	30.0	15.0	15	8	3	15.0	15	16	5	20.0	20
SRN0310M6G	230/1/60	ERFB-031E	15.3	86.0	20.0	30	20	6	25.1	40	40	12	50	50
SRN0310M6C	208-230/3/60	ERFA-031E	11.2	82.0	15.0	25	20	6	25.0	30	40	12	50	50
SRN0310M6D	460/3/60	ERFA-031E	5.2	41.0	15.0	15	10	3	15.0	15	20	6	25	25
SRN0310M6E	575/3/60	ERFA-031E	4.5	30.0	15.0	15	8	3	15.0	15	16	5	20.0	20

For additional capacity sizes and options, please contact an Account Engineer at 770-465-5600.

Electrical Data

Model Number	Power Supply	Compressor			Air Defrost		Electric Defrost - Low Amps				Electric Defrost - High Amps			
		Model	RLA	LRA	MCA	MOPD	Defrost Heater Amps	Evap Fan Amps	MCA	MOPD	Defrost Heater Amps	Evap. Fan Amps	MCA	MOPD
SRN0311L6G	230/1/60	2DF3-030E	22.9	125	28.7	50	20	6	34.7	50	40	12	50	60
SRN0311L6C	208-230/3/60	2DF3-030E	14.4	102	20.0	30	20	6	25.0	35	40	12	50	50
SRN0311L6D	460/3/60	2DF3-030E	7.1	52	15.0	15	10	3	15.0	15	20	6	25	25
SRN0311L6E	575/3/60	2DF3-030E	6.0	41.0	15.0	15	8	3	15.0	15	16	5	20.0	20
SRN0400H2C	208-230/3/60	NRB2-0400	19.6	141	24.4	40	20	6	30.4	45	40	12	50	50
SRN0400H2D	460/3/60	NRB2-0400	10.1	62.5	15.0	20	10	3	20.0	25	20	6	25	25
SRN0400H2E	575/3/60	NRB2-0400	8.3	53.4	15.0	15	8	3	15.0	20	16	5	20.0	20
SRN0400L6C	208-230/3/60	2DL3-040E	23.6	161	29.5	50	20	6	35.5	50	40	12	50	60
SRN0400L6D	460/3/60	2DL3-040E	9.2	60	15.0	20	10	3	15.0	20	20	6	25	25
SRN0400L6E	575/3/60	2DL3-040E	6.9	49.0	15.0	15	8	3	15.0	15	16	5	20.0	20
SRN0499H2C	208-230/3/60	2DC3-050E	20.0	120	25.0	45	20	6	31.0	50	40	12	50	50
SRN0499H2D	460/3/60	2DC3-050E	9.4	60	15.0	20	10	3	15.0	20	20	6	25	25
SRN0499H2E	575/3/60	2DC3-050E	6.9	49.0	15.0	15	8	3	15.0	15	16	5	20.0	20
SRN0500H2C	208-230/3/60	2DD3-050E	20.0	120	25.0	45	20	6	31.0	50	40	12	50	50
SRN0500H2D	460/3/60	2DD3-050E	9.4	60	15.0	20	10	3	15.0	20	20	6	25	25
SRN0500H2E	575/3/60	2DD3-050E	7.1	49.0	15.0	15	8	3	15.0	15	16	5	20.0	20
SRN0500M6C	208-230/3/60	2DC3-050E	20.0	120	25.0	45	20	6	31.0	50	40	12	50	50
SRN0500M6D	460/3/60	2DC3-050E	9.4	60	15.0	20	10	3	15.0	20	20	6	25	25
SRN0500M6E	575/3/60	2DC3-050E	6.9	49.0	15.0	15	8	3	15.0	15	16	5	20.0	20
SRN0599L6C	208-230/3/60	2DA3-060E	25.8	161	32.3	50	20	6	38.3	60	40	12	50	70
SRN0599L6D	460/3/60	2DA3-060E	9.2	60	15.0	20	10	3	15.0	20	20	6	25	25
SRN0599L6E	575/3/60	2DA3-060E	8.1	49.0	15.0	15	8	3	15.0	20	16	5	20.0	20
SRN0600L6C	208-230/3/60	2DB3-060E	25.3	161	31.7	50	20	6	37.7	60	40	12	50	60
SRN0600L6D	460/3/60	2DB3-060E	11.9	80	15.0	25	10	3	20.0	25	20	6	25	30
SRN0600L6E	575/3/60	2DB3-060E	8.6	63.0	15.0	15	8	3	15.0	20	16	5	20.0	20
SRN0601L6C	208-230/3/60	3DA3A060E	24.0	150	30.1	50	20	6	36.1	60	40	12	50	60
SRN0601L6D	460/3/60	3DA3A060E	10.8	77	15.0	20	10	3	20.0	25	20	6	25	30
SRN0601L6E	575/3/60	3DA3A060E	9.4	62.0	15.0	20	8	3	15.0	20	16	5	20.0	25
SRN0750H2C	208-230/3/60	2DL3-075E	28.3	169	35.4	60	40	12	50.0	70	70	16	87.5	90
SRN0750H2D	460/3/60	2DL3-075E	12.4	85	20.0	25	20	6	25.0	30	40	12	50	50
SRN0750H2E	575/3/60	2DL3-075E	11.9	67.0	15.0	25	16	5	20.0	30	32	10	40.0	40
SRN0750L6C	208-230/3/60	3DB3A075E	27.6	161	34.5	60	40	12	50.0	70	70	16	87.5	90
SRN0750L6D	460/3/60	3DB3A075E	14.1	83	20.0	30	20	6	25.0	35	40	12	50	50
SRN0750L6E	575/3/60	3DB3A075E	9.9	67.0	15.0	20	16	5	20.0	25	32	10	40.0	40
SRN0760H2C	208-230/3/60	2DA3-075E	28.7	169	35.9	60	40	12	50.0	70	70	16	87.5	90
SRN0760H2D	460/3/60	2DA3-075E	12.6	85	20.0	25	20	6	25.0	30	40	12	50	50
SRN0760H2E	575/3/60	2DA3-075E	11.9	67.0	15.0	25	16	5	20.0	30	32	10	40.0	40
SRN0761H2C	208-230/3/60	3DA3A075E	36.8	215	45.0	80	40	12	57.0	90	70	16	87.5	90
SRN0761H2D	460/3/60	3DA3A075E	17.9	106	22.4	40	20	6	28.4	45	40	12	50	50
SRN0761H2E	575/3/60	3DA3A075E	14.7	84.0	20.0	30	16	5	23.4	35	32	10	40.0	40
SRN0900L6C	208-230/3/60	3DF3A090E	33.2	215	41.5	70	40	12	53.5	80	70	16	87.5	90
SRN0900L6D	460/3/60	3DF3A090E	15.0	106	20.0	30	20	6	25.0	35	40	12	50	50
SRN0900L6E	575/3/60	3DF3A090E	14.1	84.0	20.0	30	16	5	22.6	35	32	10	40.0	40
SRN1000H2C	208-230/3/60	3DB3A100E	39.1	215	48.9	80	40	12	60.9	90	70	16	87.5	100
SRN1000H2D	460/3/60	3DB3A100E	17.9	106	22.4	40	20	6	28.4	45	40	12	50	50
SRN1000H2E	575/3/60	3DB3A100E	14.8	84.0	20.0	30	16	5	23.5	35	32	10	40.0	40
SRN1000L6C	208-230/3/60	3DS3A100E	37.2	215	46.5	80	40	12	58.5	90	70	16	87.5	90
SRN1000L6D	460/3/60	3DS3A100E	16.7	106	20.8	35	20	6	26.8	40	40	12	50.0	50
SRN1000L6E	575/3/60	3DS3A100E	14.6	84.0	20.0	30	16	5	23.2	35	32	10	40.0	40
SRN1500H2C	208-230/3/60	3DS3A150E	53.5	275	66.9	110	70	16	87.5	125	96	25	120	125
SRN1500H2D	460/3/60	3DS3A150E	26.0	138	32.5	50	40	12	50.0	70	70	16	87.5	90
SRN1500H2E	575/3/60	3DS3A150E	21.2	110.0	26.4	45	32	10	40.0	50	56	12	70.0	70
SRN1500L6C	208-230/3/60	4DL3-150E	47.2	278	58.0	100	70	16	87.5	110	96	25	120	125
SRN1500L6D	460/3/60	4DL3-150E	23.6	139	29.5	50	40	12	50.0	60	70	16	87.5	90
SRN1500L6E	575/3/60	4DL3-150E	18.8	113.0	23.5	40	32	10	40.0	50	56	12	70.0	70
SRN2000H2C	208-230/3/60	4DA3-200E	52.7	308	65.9	110	70	16	87.5	125	96	25	120	125
SRN2000H2D	460/3/60	4DA3-200E	26.3	154	32.9	50	40	12	50.0	70	70	16	87.5	90
SRN2000H2E	575/3/60	4DA3-200E	21.3	135.0	26.7	45	32	10	40.0	50	56	12	70.0	70
SRN2200L6C	208-230/3/60	4DT3-220E	59.2	374	74.0	125	70	16	90.0	125	96	25	120	150
SRN2200L6D	460/3/60	4DT3-220E	29.6	187	37.0	60	40	12	50.0	70	70	16	87.5	90
SRN2200L6E	575/3/60	4DT3-220E	21.7	135.0	27.1	45	32	10	40.0	50	56	12	70.0	70



Maximum Dimensions with Options

Horse Power	A	B	C	D	E
3/4 thru 2	35"	23 3/4"	36 3/8"	13 1/2"	12"
3 thru 4	40"	26 3/4"	39 1/4"	13 1/2"	12"
5 thru 6	42 1/2"	30 3/8"	39 1/4"	13 1/2"	12"
7 1/2 thru 22	47"	35 3/8"	43 1/2"	24"	12"

Note: Please refer to submittal drawings for exact model dimensions

Physical Data

Model Number	Compressor	Refrigerant Connections				90% Rec. Holding Capacity (lb)	Dimensions			
		Suction	Discharge	Liquid Line	Condenser Return		H (in)	W (in)	D (in)	Wt. (lb)
SRN0075H2	KAN1-0075	5/8	3/8	3/8	3/8	30	36.38	23.75	35.0	155
SRN0075M2	KAE1-0075	5/8	3/8	3/8	3/8	30	36.38	23.75	35.0	155
SRN0090H2	KARA-010E	5/8	1/2	3/8	3/8	30	36.38	23.75	35.0	160
SRN0090M6	KARA-010E	7/8	1/2	3/8	3/8	26	36.38	23.75	35.0	160
SRN0100H2	KAM1-0100	7/8	1/2	3/8	3/8	30	36.38	23.75	35.0	160
SRN0150H2	KAGA-0150	7/8	1/2	3/8	3/8	30	36.38	23.75	35.0	175
SRN0150L6	KALA-016E	7/8	1/2	3/8	3/8	26	36.38	23.75	35.0	175
SRN0199M6	KAKA-020E	7/8	1/2	3/8	1/2	26	36.38	23.75	35.0	200
SRN0200H2	ERA1-0200	7/8	1/2	3/8	1/2	30	36.38	23.75	35.0	245
SRN0200L6	EADA-020E	7/8	1/2	3/8	1/2	26	36.38	23.75	35.0	305
SRN0200M2	ERC1-0200	7/8	1/2	3/8	1/2	30	36.38	23.75	35.0	245
SRN0200M6	ERCA-021E	7/8	1/2	3/8	1/2	26	36.38	23.75	35.0	245
SRN0210L6	EAVA-021E	7/8	1/2	3/8	1/2	26	36.38	23.75	35.0	305
SRN0300H2	ERF1-0311	1 1/8	5/8	1/2	5/8	66	39.25	23.75	35.0	305
SRN0310E6	LACA-032E	1 1/8	5/8	1/2	5/8	26	39.25	23.75	35.0	305
SRN0310L6	LAHA-032E	1 1/8	5/8	1/2	5/8	26	39.25	23.75	35.0	305
SRN0310M6	ERFA-031E	1 1/8	5/8	1/2	5/8	57	39.25	23.75	35.0	305
SRN0311L6	2DF3-030E	1 3/8	7/8	1/2	5/8	57	39.25	23.75	35.0	320
SRN0400H2	NRB2-0400	1 1/8	5/8	1/2	5/8	66	39.25	23.75	35.0	360
SRN0400L6	2DL3-040E	1 3/8	7/8	1/2	5/8	57	39.25	26.75	40.0	360
SRN0499H2	2DC3-050E	1 3/8	7/8	5/8	5/8	66	39.25	26.75	40.0	375
SRN0500H2	2DD3-050E	1 3/8	7/8	5/8	5/8	66	39.25	26.75	40.0	375
SRN0500M6	2DC3-050E	1 3/8	7/8	5/8	5/8	57	39.25	26.75	40.0	375
SRN0599L6	2DA3-060E	1 3/8	7/8	5/8	5/8	57	39.25	26.75	40.0	390
SRN0600L6	2DB3-060E	1 3/8	7/8	5/8	5/8	57	39.25	26.75	40.0	390
SRN0601L6	3DA3A060E	1 3/8	1 1/8	5/8	5/8	57	39.25	30.38	42.5	405
SRN0750H2	2DL3-075E	1 3/8	7/8	5/8	7/8	122	39.25	30.38	42.5	385
SRN0750L6	3DB3A075E	1 5/8	1 1/8	5/8	7/8	106	39.25	30.38	42.5	385
SRN0760H2	2DA3-075E	1 3/8	7/8	5/8	7/8	122	39.25	30.38	42.5	385
SRN0761H2	3DA3A075E	1 3/8	1 1/8	5/8	7/8	122	39.25	30.38	42.5	385
SRN0900L6	3DF3A090E	1 5/8	1 1/8	5/8	7/8	106	39.25	30.38	42.5	465
SRN1000H2	3DB3A100E	1 5/8	1 1/8	7/8	7/8	122	39.25	30.38	42.5	595
SRN1000L6	3DS3A100E	1 5/8	1 1/8	7/8	7/8	106	39.25	30.38	42.5	595
SRN1500H2	3DS3A150E	1 5/8	1 1/8	7/8	1 1/8	171	39.25	30.38	42.5	615
SRN1500L6	4DL3-150E	2 1/8	1 1/8	7/8	7/8	106	39.25	30.38	42.5	655
SRN2000H2	4DA3-200E	1 5/8	1 3/8	7/8	1 1/8	171	43.50	35.38	47.0	665
SRN2200L6	4DT3-220E	2 1/8	1 1/8	7/8	7/8	106	43.50	35.38	47.0	725

Note: Receiver refrigerant holding capacity refers to the weight of the type of refrigerant indicated by the model number (i.e. H2, M2 = R22; M6, L6, E6 = R404A)

Note: Dimensions are maximum dimensions with options please refer to submittal drawings for specific model dimensions

Visit our website at www.heatcraftprd.com for technical literature online.

Since product improvement is a continuing effort at Heatcraft, we reserve the right to make changes in specifications without notice.



A Brand of Heatcraft Refrigeration Products LLC

2175 West Park Place Blvd. • Stone Mountain, GA 30087
770.465.5600 • Fax: 770.465.5990
www.heatcraftprd.com

