



The Cold Standard

Bulletin 502.4A
March 2003
(Replaces 502.4 • 3/02)

Water Cooled Condensing Units

SWN - Semi-Hermetic Compressor



Table of Contents

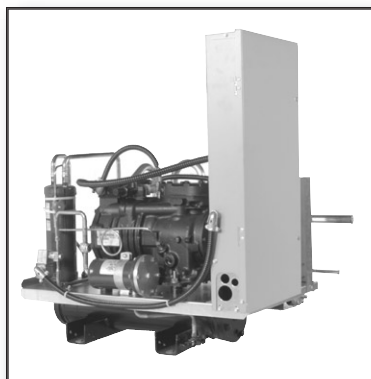
Nomenclature	2
Features & Benefits	3-4
Performance Data, High and Med. Temp.	5
Performance Data, Med. Temp.	6
Performance Data, Low Temp.....	7
Electrical Data	8-9
Physical Data	10-11

Nomenclature						
S	W	N	0500	H	2	C
Semi-Hermetic	Water-Cooled	Indoor	Model Size	Application H = High Temp M = Med Temp L = Low Temp E = Extra Low Temp	2 = R22 6 = R404A	Voltage B = 208-230/1/60 C = 208-230/3/60 D = 460/3/60 G = 230/1/60 E = 575/3/60



- Pre-bent tubing reduces the possibility of leaks
- Fixed Low Pressure Switch (adjustable on low temp models)
- Fixed high pressure switch
- Easy access refrigerant piping

- More Spacious, Pre-Painted Electrical Box
- Pump Down Switch



- Semi-Hermetic Compressors
- Removeable electrical box for compressor access from the front
- Shell and Tube, Cleanable Condenser
- Single Electrical Connection Location
- Sealed Liquid Line Filter and Sight Glass
- Heavy Duty, Newly Designed Base Plate

Note: SWN pictured with optional replaceable core liquid filter, oil separator, replaceable core suction filter and liquid solenoid valve.

Standard Features & Factory Installed Options

The indoor SWN water-cooled condensing unit was specifically designed for use in supermarket, restaurant, warehouse and other commercial and industrial applications. The design focuses on ease of installation and maintenance along with the flexibility to fit most application requirements.

Standard Features

- Fixed low pressure switch (adjustable on low temp models)
- Fixed high pressure switch
- Pump down switch
- Sealed liquid line filter and sight glass
- Compressor contactor and control circuit fusing
- 230V transformer on 460V units
- The design of the electrical box allows for it to be removed providing convenient front access to oil pump and compressor
- The electrical box comes in two sizes. The large 29 1/4" tall box is standard when defrost components are selected - otherwise, the 16 3/4" tall box comes standard

Factory Installed Options

- Dual Pressure Switch
- Oil Separator with Check Valve and Hand Valve
- Compressor and Control Circuit Breaker
- Water Regulating Valve (Shipped Loose)
- Two Tier Rack
- Vibration Eliminators
- Suction Accumulator
- Sealed Suction Filter
- Replaceable Core Suction Filter (0300-2200)
- Replaceable Core Liquid Filter (0300-2200)
- Liquid Line Solenoid Valve
- Hard Mount (Standard on models 0075-0400)
- Spring mount with vibration eliminators standard on models 0499 and above)
- Crankcase Heater
- Air Defrost Timer
- Electric Defrost Timer
- Remote Load Fusing

Performance Data - High and Medium Temperature Models

85°F entering water, 105°F condensing temperature, 5°F subcooling

R-22 MODEL	COMPRESSOR	SUCTION TEMPERATURE °F						
			15°F	20°F	25°F	30°F	35°F	40°F
SWN0075H2	KAN1-0075	BTUH	5090	5860	6700	7620	8620	9740
		GPM	0.9	1	1.2	1.3	1.5	1.7
		PSIG	0.2	0.3	0.4	0.5	0.7	0.8
SWN0075M2	KAE1-0075	BTUH	6310	7130	8000	—	—	—
		GPM	1.2	1.3	1.5	—	—	—
		PSIG	0.4	0.5	0.7	—	—	—
SWN0090H2	KARA-010E	BTUH	7370	8330	9370	10510	11740	13170
		GPM	1.4	1.6	1.8	2.1	2.3	2.6
		PSIG	0.6	0.8	1	1.3	1.6	2.1
SWN0100H2	KAM1-0100	BTUH	8380	9480	10690	12040	13430	15070
		GPM	1.6	1.8	2	2.3	2.6	2.9
		PSIG	0.7	0.9	1.2	1.5	1.9	2.5
SWN0150H2	KAGA-0150	BTUH	9450	10760	12150	13630	15270	17090
		GPM	1.8	2.1	2.4	2.7	3.1	3.5
		PSIG	1	1.3	1.7	2.2	2.8	3.6
SWN0200H2	ERA1-0200	BTUH	11170	13530	16090	18810	21780	24980
		GPM	2.5	3.1	3.7	4.4	5.3	6.2
		PSIG	0.2	0.3	0.5	0.7	1	1.3
SWN0200M2	ERC1-0200	BTUH	14810	17020	19480	—	—	—
		GPM	3.4	3.9	4.6	—	—	—
		PSIG	0.4	0.5	0.7	—	—	—
SWN0300H2	ERF1-0311	BTUH	22400	25220	28290	31620	35260	39310
		GPM	4.7	5.3	6.1	6.9	7.9	9.1
		PSIG	0.8	1	1.3	1.7	2.2	2.8
SWN0400H2	NRB2-0400	BTUH	30490	35110	40130	45460	51300	57910
		GPM	7.3	8.7	10.3	12.3	14.8	17.9
		PSIG	1.9	2.6	3.6	5	7	10
SWN0499H2	2DC3-050E	BTUH	35930	40900	46230	52020	58320	65090
		GPM	7.5	8.8	10.2	11.8	13.8	16.1
		PSIG	1.5	2	2.7	3.6	4.9	6.5
SWN0500H2	2DD3-050E	BTUH	42080	47710	53810	60370	67500	75240
		GPM	9.4	11	12.8	15	17.7	21
		PSIG	2.3	3.1	4.2	5.7	7.9	10.9
SWN0750H2	2DL3-075E	BTUH	53450	60320	67750	75700	84310	93690
		GPM	9	10.3	11.6	13.2	14.9	16.9
		PSIG	1.5	1.9	2.5	3.1	4	5.1
SWN0760H2	2DA3-075E	BTUH	60580	68420	76770	85690	95330	105680
		GPM	10.6	12.1	13.8	15.7	17.9	20.4
		PSIG	2.1	2.7	3.4	4.4	5.6	7.3
SWN0761H2	3DA3A075E	BTUH	74160	83130	92810	103270	114800	127100
		GPM	13.9	15.9	18.1	20.7	23.8	27.5
		PSIG	3.5	4.5	5.8	7.5	9.8	13
SWN1000H2	3DB3A100E	BTUH	88710	99020	110190	122490	135300	149650
		GPM	20.7	23.6	27	31.2	35.8	41.5
		PSIG	1	1.3	1.7	2.3	2.9	3.9
SWN1500H2	3DS3A150E	BTUH	117310	131200	146060	161950	179890	198850
		GPM	25.6	29.3	33.5	38.3	44.2	51.1
		PSIG	0.8	1.1	1.4	1.8	2.3	3
SWN2000H2	4DA3-200E	BTUH	124230	139910	156830	176300	197310	219860
		GPM	27.6	32	37.2	43.6	51.3	60.6
		PSIG	0.9	1.2	1.7	2.2	3	4.2

For additional capacity sizes and options, please contact an Account Engineer at 770-465-5600.

Performance Data - Medium Temperature Models

85°F entering water, 105°F condensing temperature, 5°F subcooling

R-404A MODEL	COMPRESSOR		SUCTION TEMPERATURE °F					
			15°F	20°F	25°F	30°F	35°F	40°F
SWN0090M6	KARA-010E	BTUH	8140	9140	10340	—	—	—
		GPM	1.8	2.1	2.4	—	—	—
		PSIG	1	1.3	1.6	—	—	—
SWN0199M6	KAKA-020E	BTUH	13490	15120	16750	—	—	—
		GPM	3.5	4.2	4.8	—	—	—
		PSIG	3.7	5	6.7	—	—	—
SWN0200M6	ERCA-021E	BTUH	17220	19430	21790	—	—	—
		GPM	4.8	5.6	6.5	—	—	—
		PSIG	0.8	1.1	1.4	—	—	—
SWN0310M6	ERFA-031E	BTUH	24990	28090	31450	—	—	—
		GPM	6.2	7.3	8.5	—	—	—
		PSIG	1.4	1.8	2.5	—	—	—
SWN0500M6	2DC3-050E	BTUH	38480	43470	48930	54810	61160	68040
		GPM	9.7	11.5	13.7	16.5	20	24.6
		PSIG	2.4	3.4	4.8	6.8	9.9	14.9

For additional capacity sizes and options, please contact an Account Engineer at 770-465-5600.

Performance Data - Low Temperature Models

85°F entering water, 105°F condensing temperature, 5°F subcooling

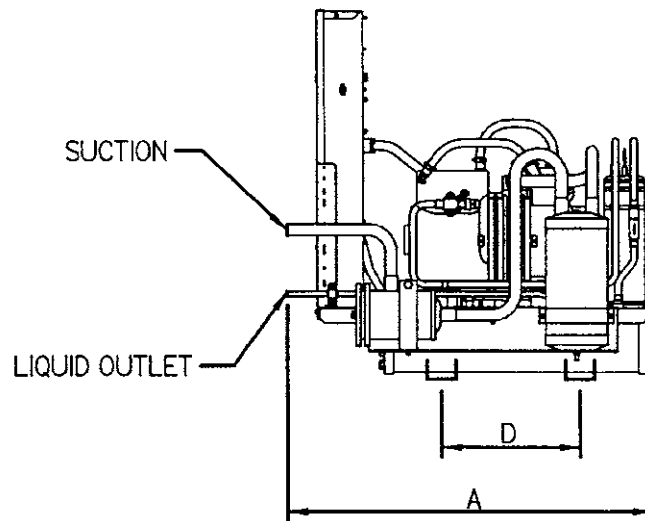
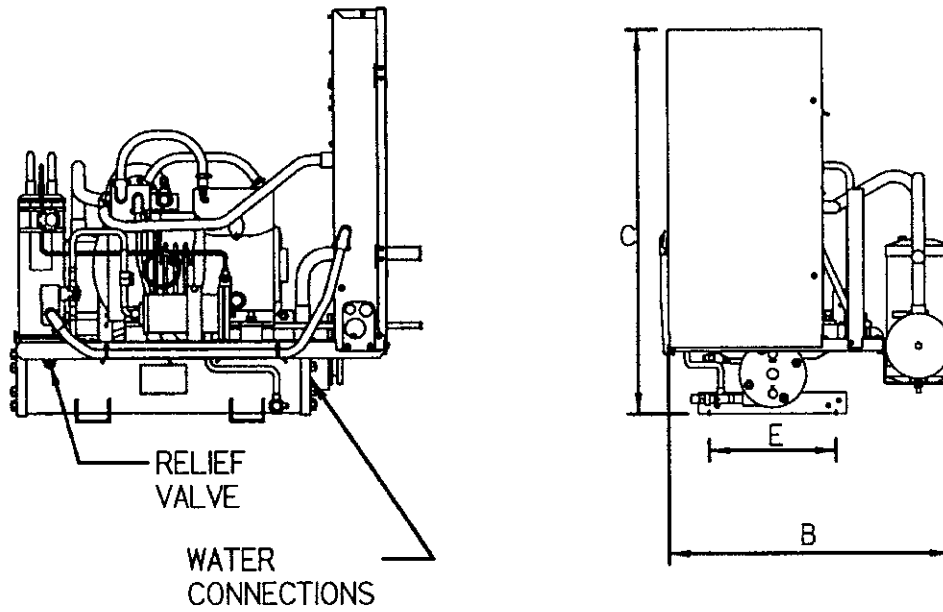
R-404A MODEL	COMPRESSOR	SUCTION TEMPERATURE °F						
			-40°F	-30°F	-25°F	-20°F	-10°F	0°F
SWN0150L6	KALA-016E	BTUH	3160	4940	5880	6830	9030	11550
		GPM	0.8	1.3	1.5	1.7	2.3	3.1
		PSIG	0.2	0.5	0.7	0.9	1.6	2.9
SWN0200L6	EADA-020E	BTUH	3590	5570	6620	7770	10500	13970
		GPM	1.1	1.5	1.7	2	2.7	3.8
		PSIG	0.2	0.1	0.1	0.2	0.3	0.5
SWN0210L6	EAVA-021E	BTUH	3980	5990	7350	8820	12290	16280
		GPM	1.2	1.6	1.9	2.3	3.3	4.7
		PSIG	0.2	0.1	0.2	0.2	0.4	0.8
SWN0310L6	LAHA-032E	BTUH	5940	9560	11760	14180	19850	26360
		GPM	1.5	2.3	2.8	3.4	5	7.3
		PSIG	0.1	0.2	0.3	0.4	0.9	1.9
SWN0310E6	LACA-032E	BTUH	8540	12810	15330	18060	—	—
		GPM	2.1	3.2	3.9	4.7	—	—
		PSIG	0.2	0.4	0.6	0.8	—	—
SWN0311L6	2DF3-030E	BTUH	10050	14600	17120	19950	26570	34440
		GPM	2.4	3.5	4.1	4.8	6.6	9.1
		PSIG	0.2	0.5	0.6	0.9	1.6	2.8
SWN0400L6	2DL3-040E	BTUH	12480	17850	20900	24260	31920	41160
		GPM	3	4.4	5.2	6.1	8.5	12
		PSIG	0.3	0.7	1	1.3	2.5	4.7
SWN0599L6	2DA3-060E	BTUH	14790	20900	24260	27930	36440	46520
		GPM	3.4	4.9	5.7	6.7	9	12.2
		PSIG	0.3	0.7	0.9	1.2	2.1	3.8
SWN0600L6	2DB3-060E	BTUH	15460	22050	25830	29930	39170	50190
		GPM	3.6	5.2	6.2	7.3	9.9	13.7
		PSIG	0.4	0.7	1	1.4	2.6	4.8
SWN0601L6	3DA3A060E	BTUH	18260	25200	29190	33600	43680	55760
		GPM	4.5	6.3	7.4	8.6	11.8	16.5
		PSIG	0.5	1	1.4	2	3.6	6.8
SWN0750L6	3DB3A075E	BTUH	21670	30030	34760	39800	51560	65840
		GPM	4.3	5.9	6.8	7.7	10.1	13.1
		PSIG	0.4	0.7	0.9	1.1	1.9	3.1
SWN0900L6	3DF3A090E	BTUH	26440	36440	42210	48620	63210	80750
		GPM	6.1	8.4	9.8	11.3	15.1	20.1
		PSIG	0.1	0.2	0.2	0.3	0.6	1
SWN1000L6	3DS3A100E	BTUH	30140	41480	47990	55020	70880	89460
		GPM	7.1	9.8	11.5	13.3	17.7	23.5
		PSIG	0.1	0.3	0.3	0.4	0.8	1.3
SWN1500L6	4DL3-150E	BTUH	41760	57960	66360	75390	95660	120650
		GPM	9.5	13.2	15.2	17.3	22.5	29.5
		PSIG	0.1	0.2	0.3	0.4	0.6	1.1
SWN2200L6	4DT3-220E	BTUH	48600	68670	79380	90720	115710	144900
		GPM	11.3	16.2	18.9	22	29.3	39.1
		PSIG	0.2	0.3	0.5	0.6	1	1.8

For additional capacity sizes and options, please contact an Account Engineer at 770-465-5600.

Electrical Data

Model Number	Power Supply	Compressor			Air Defrost		Electric Defrost - Low Amps				Electric Defrost - High Amps			
		Model	RLA	LRA	MCA	MOPD	Defrost Heater Amps	Evap Fan Amps	MCA	MOPD	Defrost Heater Amps	Evap. Fan Amps	MCA	MOPD
SWN0075H2B	208-230/1/60	KAN2-0075	5.4	36.0	15.0	15	10	3	15.0	15	—	—	—	—
SWN0075H2C	208-230/3/60	KAN1-0075	3.1	19.9	15.0	15	10	3	15.0	15	—	—	—	—
SWN0075M2B	208-230/1/60	KAE2-0075	4.9	36.0	15.0	15	10	3	15.0	15	—	—	—	—
SWN0075M2C	208-230/3/60	KAE1-0075	3.0	19.9	15.0	15	10	3	15.0	15	—	—	—	—
SWN0090H2B	208-230/1/60	KARB-010E	6.4	40.0	15.0	15	10	3	15.0	15	—	—	—	—
SWN0090H2C	208-230/3/60	KARA-010E	3.8	27.0	15.0	15	10	3	15.0	15	—	—	—	—
SWN0090M6B	208-230/1/60	KARB-010E	6.4	40.0	15.0	15	10	3	15.0	15	—	—	—	—
SWN0090M6C	208-230/3/60	KARA-010E	3.8	27.0	15.0	15	10	3	15.0	15	—	—	—	—
SWN0100H2B	208-230/1/60	KAM2-0100	6.7	40.0	15.0	15	10	3	15.0	15	—	—	—	—
SWN0100H2C	208-230/3/60	KAM1-0100	4.0	27.0	15.0	15	10	3	15.0	15	—	—	—	—
SWN0100H2D	460/3/60	KAM1-0100	1.0	13.5	15.0	15	10	3	15.0	15	—	—	—	—
SWN0150H2B	208-230/1/60	KAGB-0150	8.6	55.0	15.0	15	20	6	25.0	25	40	12	50.0	50
SWN0150H2C	208-230/3/60	KAGA-0150	4.9	35.5	15.0	15	20	6	25.0	25	—	—	—	—
SWN0150H2D	460/3/60	KAGA-0150	2.2	18.2	15.0	15	10	3	15.0	15	—	—	—	—
SWN0150L6B	208-230/1/60	KALB-015E	8.9	55.0	15.0	20	20	6	25.0	25	—	—	—	—
SWN0150L6C	208-230/3/60	KALA-016E	5.0	50.0	15.0	15	20	6	25.0	25	—	—	—	—
SWN0150L6D	460/3/60	KALA-016E	3.1	25.0	15.0	15	10	3	15.0	15	—	—	—	—
SWN0199M6B	208-230/1/60	KAKB-021E	9.1	55.0	15.0	20	20	6	25.0	25	40	12	50.0	50
SWN0199M6C	208-230/3/60	KAKA-020E	5.8	50.0	15.0	15	20	6	25.0	25	—	—	—	—
SWN0200H2G	230/1/60	ERA2-0200	9.3	58.0	15.0	20	20	6	25.0	25	40	12	50.0	50
SWN0200H2C	208-230/3/60	ERA1-0200	5.9	46.0	15.0	15	20	6	25.0	25	—	—	—	—
SWN0200H2D	460/3/60	ERA1-0200	3.1	46.0	15.0	15	10	3	15.0	15	—	—	—	—
SWN0200H2E	575/3/60	ERA1-0200	3.1	23.0	15.0	15	8	3	15.0	15	—	—	—	—
SWN0200L6G	230/1/60	EADB-021E	8.0	58.0	15.0	20	20	6	25.0	25	—	—	—	—
SWN0200L6C	208-230/3/60	EADA-020E	6.1	46.0	15.0	15	20	6	25.0	25	—	—	—	—
SWN0200M2G	230/1/60	ERC2-0200	9.7	58.0	15.0	20	20	6	25.0	25	40	12	50.0	50
SWN0200M2C	208-230/3/60	ERC1-0200	6.1	46.0	15.0	15	20	6	25.0	25	—	—	—	—
SWN0200M2D	460/3/60	ERC1-0200	3.3	23.0	15.0	15	10	3	15.0	15	—	—	—	—
SWN0200M6C	208-230/3/60	ERCA-021E	7.9	46.0	15.0	15	20	6	25.0	25	—	—	—	—
SWN0210L6B	208-230/1/60	EAVB-021E	13.2	102.0	20.0	25	20	6	25.0	35	—	—	—	—
SWN0210L6C	208-230/3/60	EAVA-021E	6.6	50.0	15.0	15	20	6	25.0	25	—	—	—	—
SWN0210L6D	460/3/60	EAVA-021E	2.9	26.6	15.0	15	10	3	15.0	15	—	—	—	—
SWN0210L6E	575/3/60	EAVA-021E	2.8	20.0	15.0	15	8	3	15.0	15	—	—	—	—
SWN0300H2G	230/1/60	ERF2-0310	15.6	86.0	20.0	35	20	6	25.5	40	40	12	50.0	50
SWN0300H2C	208-230/3/60	ERF1-0311	11.2	82.0	15.0	25	20	6	25.0	30	40	12	50.0	50
SWN0300H2D	460/3/60	ERF1-0311	5.2	41.0	15.0	15	10	3	15.0	15	20	6	25.0	25
SWN0300H2E	575/3/60	ERF1-0300	4.7	30.0	15.0	15	8	3	15.0	15	16.5	20.0	20	
SWN0310E6G	230/1/60	LACB-032E	13.9	105.0	20.0	30	20	6	25.0	35	40	12	50.0	50
SWN0310E6C	208-230/3/60	LACA-032E	11.5	112.0	15.0	25	20	6	25.0	30	40	12	50.0	50
SWN0310E6D	460/3/60	LACA-032E	5.4	56.0	15.0	15	10	3	15.0	15	20	6	25.0	25
SWN0310L6G	230/1/60	LAHB-032E	15.0	105.0	20.0	30	20	6	25.0	35	40	12	50.0	50
SWN0310L6C	208-230/3/60	LAHA-032E	11.5	112.0	15.0	25	20	6	25.0	30	40	12	50.0	50
SWN0310L6D	460/3/60	LAHA-032E	5.4	56.0	15.0	15	10	3	15.0	15	20	6	25.0	25
SWN0310M6G	230/1/60	ERFB-031E	15.3	86.0	20.0	30	20	6	25.1	40	40	12	50.0	50
SWN0310M6C	208-230/3/60	ERFA-031E	11.2	82.0	15.0	25	20	6	25.0	30	40	12	50.0	50
SWN0310M6D	460/3/60	ERFA-031E	5.2	41.0	15.0	15	10	3	15.0	15	20	6	25.0	25
SWN0310M6E	575/3/60	ERFA-031E	4.5	30.0	15.0	15	8	3	15.0	15	16	5	20.0	20

Model Number	Power Supply	Compressor			Air Defrost		Electric Defrost - Low Amps				Electric Defrost - High Amps			
		Model	RLA	LRA	MCA	MOPD	Defrost Heater Amps	Evap Fan Amps	MCA	MOPD	Defrost Heater Amps	Evap. Fan Amps	MCA	MOPD
SWN0311L6C	208-230/3/60	2DF3-030E	14.4	102.0	20.0	30	20	6	25.0	35	40	12	50.0	50
SWN0311L6D	460/3/60	2DF3-030E	7.1	52.0	15.0	15	10	3	15.0	15	20	6	25.0	25
SWN0311L6G	230/1/60	2DF3-030E	22.9	125.0	28.7	50	20	6	34.7	50	40	12	50.0	60
SWN0311L6E	575/3/60	2DF3-030E	6.0	41.0	15.0	15	8	3	15.0	15	16	5	20.0	20
SWN0400H2C	208-230/3/60	NRB2-0400	19.6	141.0	24.4	40	20	6	30.4	45	40	12	50.0	50
SWN0400H2D	460/3/60	NRB2-0400	10.1	62.5	15.0	20	10	3	20.0	25	20	6	25.0	25
SWN0400H2E	575/3/60	NRB2-0400	8.3	53.4	15.0	15	8	3	15.0	20	16	5	20.0	20
SWN0400L6C	208-230/3/60	2DL3-040E	23.6	161.0	29.5	50	20	6	35.5	50	40	12	50.0	60
SWN0400L6D	460/3/60	2DL3-040E	9.2	60.0	15.0	20	10	3	15.0	20	20	6	25.0	25
SWN0400L6E	575/3/60	2DL3-040E	6.9	49.0	15.0	15	8	3	15.0	15	16	5	20.0	20
SWN0499H2C	208-230/3/60	2DC3-050E	20.0	120.0	25.0	45	20	6	31.0	50	40	12	50.0	50
SWN0499H2D	460/3/60	2DC3-050E	9.4	60.0	15.0	20	10	3	15.0	20	20	6	25.0	25
SWN0499H2E	575/3/60	2DC3-050E	6.9	49.0	15.0	15	8	3	15.0	15	16	5	20.0	20
SWN0500H2C	208-230/3/60	2DD3-050E	20.0	120.0	25.0	45	20	6	31.0	50	40	12	50.0	50
SWN0500H2D	460/3/60	2DD3-050E	9.4	60.0	15.0	20	10	3	15.0	20	20	6	25.0	25
SWN0500H2E	575/3/60	2DD3-050E	7.1	49.0	15.0	15	8	3	15.0	15	16	5	20.0	20
SWN0500M6C	208-230/3/60	2DC3-050E	20.0	120.0	25.0	45	20	6	31.0	50	40	12	50.0	50
SWN0500M6D	460/3/60	2DC3-050E	9.4	60.0	15.0	20	10	3	15.0	20	20	6	25.0	25
SWN0500M6E	575/3/60	2DC3-050E	6.9	49.0	15.0	15	8	3	15.0	15	16	5	20.0	20
SWN0599L6C	208-230/3/60	2DA3-060E	25.8	161.0	32.3	50	20	6	38.3	60	40	12	50.0	70
SWN0599L6D	460/3/60	2DA3-060E	9.2	60.0	15.0	20	10	3	15.0	20	20	6	25.0	25
SWN0599L6E	575/3/60	2DA3-060E	8.1	49.0	15.0	15	8	3	15.0	20	16	5	20.0	20
SWN0600L6C	208-230/3/60	2DB3-060E	25.3	161.0	31.7	50	20	6	37.7	60	40	12	50.0	60
SWN0600L6D	460/3/60	2DB3-060E	11.9	80.0	15.0	25	10	3	20.0	25	20	6	25.0	30
SWN0600L6E	575/3/60	2DB3-060E	8.6	63.0	15.0	15	8	3	15.0	20	16	5	20.0	20
SWN0601L6C	208-230/3/60	3DA3A060E	24.0	150.0	30.1	50	20	6	36.1	60	40	12	50.0	60
SWN0601L6D	460/3/60	3DA3A060E	10.8	77.0	15.0	20	10	3	20.0	25	20	6	25.0	30
SWN0601L6E	575/3/60	3DA3A060E	9.4	62.0	15.0	20	8	3	15.0	20	16	5	20.0	25
SWN0750H2C	208-230/3/60	2DL3-075E	28.3	169.0	35.4	60	40	12	50.0	70	70	16	87.5	90
SWN0750H2D	460/3/60	2DL3-075E	12.4	85.0	20.0	25	20	6	25.0	30	40	12	50.0	50
SWN0750H2E	575/3/60	2DL3-075E	11.9	67.0	15.0	25	16	5	20.0	30	32	10	40.0	40
SWN0750L6C	208-230/3/60	3DB3A075E	27.6	161.0	34.5	60	40	12	50.0	70	70	16	87.5	90
SWN0750L6D	460/3/60	3DB3A075E	14.1	83.0	20.0	30	20	6	25.0	35	40	12	50.0	50
SWN0750L6E	575/3/60	3DB3A075E	9.9	67.0	15.0	20	16	5	20.0	25	32	10	40.0	40
SWN0760H2C	208-230/3/60	2DA3-075E	28.7	169.0	35.9	60	40	12	50.0	70	70	16	87.5	90
SWN0760H2D	460/3/60	2DA3-075E	12.6	85.0	20.0	25	20	6	25.0	30	40	12	50.0	50
SWN0760H2E	575/3/60	2DA3-075E	11.9	67.0	15.0	25	16	5	20.0	30	32	10	40.0	40
SWN0761H2C	208-230/3/60	3DA3A075E	36.8	215.0	45.0	80	40	12	57.0	90	70	16	87.5	90
SWN0761H2D	460/3/60	3DA3A075E	17.9	106.0	22.4	40	20	6	28.4	45	40	12	50.0	50
SWN0761H2E	575/3/60	3DA3A075E	14.7	84.0	20.0	30	16	5	23.4	35	32	10	40.0	40
SWN0900L6C	208-230/3/60	3DF3A090E	33.2	215.0	41.5	70	40	12	53.5	80	70	16	87.5	90
SWN0900L6D	460/3/60	3DF3A090E	15.0	106.0	20.0	30	20	6	25.0	35	40	12	50.0	50
SWN0900L6E	575/3/60	3DF3A090E	14.1	84.0	20.0	30	16	5	22.6	35	32	10	40.0	40
SWN1000H2C	208-230/3/60	3DB3A100E	39.1	215.0	48.9	80	40	12	60.9	90	70	16	87.5	100
SWN1000H2D	460/3/60	3DB3A100E	17.9	106.0	22.4	40	20	6	28.4	45	40	12	50.0	50
SWN1000H2E	575/3/60	3DB3A100E	14.8	84.0	20.0	30	16	5	23.5	35	32	10	40.0	40
SWN1000L6C	208-230/3/60	3DS3A100E	37.2	215.0	46.5	80	40	12	58.5	90	70	16	87.5	90
SWN1000L6D	460/3/60	3DS3A100E	16.7	106.0	20.8	35	20	6	26.8	40	40	12	50.0	50
SWN1000L6E	575/3/60	3DS3A100E	14.6	84.0	20.0	30	16	5	23.2	35	32	10	40.0	40
SWN1500H2C	208-230/3/60	3DS3A150E	53.5	275.0	66.9	110	70	16	87.5	125	96	25	120.0	125
SWN1500H2D	460/3/60	3DS3A150E	26.0	138.0	32.5	50	40	12	50.0	70	70	16	87.5	90
SWN1500H2E	575/3/60	3DS3A150E	21.2	110.0	26.4	45	32	10	40.0	50	56	12	70.0	70
SWN1500L6C	208-230/3/60	4DL3-150E	47.2	278.0	58.0	100	70	16	87.5	110	96	25	120.0	125
SWN1500L6D	460/3/60	4DL3-150E	23.6	139.0	29.5	50	40	12	50.0	60	70	16	87.5	90
SWN1500L6E	575/3/60	4DL3-150E	18.8	113.0	23.5	40	32	10	40.0	50	56	12	70.0	70
SWN2000H2C	208-230/3/60	4DA3-200E	52.7	308.0	65.9	110	70	16	87.5	125	96	25	120.0	125
SWN2000H2D	460/3/60	4DA3-200E	26.3	154.0	32.9	50	40	12	50.0	70	70	16	87.5	90
SWN2000H2E	575/3/60	4DA3-200E	21.3	135.0	26.7	45	32	10	40.0	50	56	12	70.0	70
SWN2200L6C	208-230/3/60	4DT3-220E	59.2	374.0	74.0	125	70	16	90.0	125	96	25	120.0	150
SWN2200L6D	460/3/60	4DT3-220E	29.6	187.0	37.0	60	40	12	50.0	70	70	16	87.5	90
SWN2200L6E	575/3/60	4DT3-220E	21.7	135.0	27.1	45	32	10	40.0	50	56	12	70.0	70



Maximum Dimensions with Options

Horse Power	A	B	C	D	E
3/4 thru 2	33"	23 3/4"	37 3/8"	10 5/8"	12"
3 thru 4	38 3/8"	26 3/4"	36 3/8"	13 1/2"	12"
5 thru 6	42 1/2"	30 3/8"	39 1/4"	14"	12"
7 1/2 thru 22	55 1/2"	35 3/8"	41 1/2"	36"	12"

Note: Please refer to submittal drawings for exact model dimensions

Model Number	Compressor	Connections				90% Cond. Holding Capacity (lb)	Dimensions			
		Suction	Liquid Line	Water Inlet	Water Outlet		H (in)	W (in)	D (in)	Wt. (lb)
SWN0075H2	KAN1-0075	5/8	3/8	1/2	1/2	21	37.38	23.75	33.0	165
SWN0075M2	KAE1-0075	5/8	3/8	1/2	1/2	21	37.38	23.75	33.0	165
SWN0090H2	KARA-010E	5/8	3/8	1/2	1/2	21	37.38	23.75	33.0	180
SWN0090M6	KARA-010E	7/8	3/8	1/2	1/2	18	37.38	23.75	33.0	180
SWN0100H2	KAM1-0100	7/8	3/8	1/2	1/2	21	37.38	23.75	33.0	180
SWN0150H2	KAGA-0150	7/8	3/8	1/2	1/2	21	37.38	23.75	33.0	195
SWN0150L6	KALA-016E	7/8	3/8	1/2	1/2	18	37.38	23.75	33.0	195
SWN0199M6	KAKA-020E	7/8	3/8	1/2	1/2	18	37.38	23.75	33.0	210
SWN0200H2	ERA1-0200	7/8	3/8	1/2	1/2	17	37.38	23.75	33.0	260
SWN0200L6	EADA-020E	7/8	3/8	1/2	1/2	15	37.38	23.75	33.0	325
SWN0200M2	ERC1-0200	7/8	3/8	1/2	1/2	17	37.38	23.75	33.0	260
SWN0200M6	ERCA-021E	7/8	3/8	1/2	1/2	15	37.38	23.75	33.0	260
SWN0210L6	EAVA-021E	7/8	3/8	1/2	1/2	15	37.38	23.75	33.0	325
SWN0300H2	ERF1-0311	1 1/8	1/2	3/4	3/4	19	36.38	26.75	38.38	325
SWN0310E6	LACA-032E	1 1/8	1/2	3/4	3/4	17	36.38	26.75	38.38	325
SWN0310L6	LAHA-032E	1 1/8	1/2	3/4	3/4	17	36.38	26.75	38.38	325
SWN0310M6	ERFA-031E	1 1/8	1/2	3/4	3/4	17	36.38	26.75	38.38	325
SWN0311L6	2DF3-030E	1 3/8	1/2	3/4	3/4	17	36.38	26.75	38.38	340
SWN0400H2	NRB2-0400	1 1/8	1/2	3/4	3/4	19	36.38	26.75	38.38	385
SWN0400L6	2DL3-040E	1 3/8	1/2	3/4	3/4	17	36.38	26.75	38.38	385
SWN0499H2	2DC3-050E	1 3/8	5/8	1 1/4	1 1/4	39	39.25	30.38	42.5	400
SWN0500H2	2DD3-050E	1 3/8	5/8	1 1/4	1 1/4	39	39.25	30.38	42.5	400
SWN0500M6	2DC3-050E	1 3/8	5/8	1 1/4	1 1/4	34	39.25	30.38	42.5	400
SWN0599L6	2DA3-060E	1 3/8	5/8	1 1/4	1 1/4	34	39.25	30.38	42.5	415
SWN0600L6	2DB3-060E	1 3/8	5/8	1 1/4	1 1/4	34	39.25	30.38	42.5	415
SWN0601L6	3DA3A060E	1 3/8	5/8	1 1/4	1 1/4	34	39.25	30.38	42.5	430
SWN0750H2	2DL3-075E	1 3/8	5/8	1 1/4	1 1/4	60	41.50	35.38	55.5	465
SWN0750L6	3DB3A075E	1 5/8	5/8	1 1/4	1 1/4	52	41.50	35.38	55.5	465
SWN0760H2	2DA3-075E	1 3/8	5/8	1 1/4	1 1/4	60	41.50	35.38	55.5	465
SWN0761H2	3DA3A075E	1 3/8	5/8	1 1/4	1 1/4	60	41.50	35.38	55.5	465
SWN0900L6	3DF3A090E	1 5/8	5/8	1 1/4	1 1/4	57	41.50	35.38	55.5	560
SWN1000H2	3DB3A100E	1 5/8	7/8	1 1/4	1 1/4	66	41.50	35.38	55.5	715
SWN1000L6	3DS3A100E	1 5/8	7/8	1 1/4	1 1/4	57	41.50	35.38	55.5	715
SWN1500H2	3DS3A150E	1 5/8	7/8	1 1/2	1 1/2	125	41.50	35.38	55.5	735
SWN1500L6	4DL3-150E	2 1/8	7/8	1 1/2	1 1/2	109	41.50	35.38	55.5	780
SWN2000H2	4DA3-200E	1 5/8	7/8	1 1/2	1 1/2	125	41.50	35.38	55.5	795
SWN2200L6	4DT3-220E	2 1/8	7/8	1 1/2	1 1/2	109	41.50	35.38	55.5	865

Note: Condenser refrigerant holding capacity refers to the weight of the type of refrigerant indicated by the model number (i.e. H2, M2 = R22; M6, L6, E6 = R404A)

Note: Dimensions are maximum dimensions with options please refer to submittal drawings for specific model dimensions

Visit our website at www.heatcrafttrpd.com for technical literature online.

Since product improvement is a continuing effort at Heatcraft, we reserve the right to make changes in specifications without notice.



A Brand of Heatcraft Refrigeration Products LLC

2175 West Park Place Blvd. • Stone Mountain, GA 30087
770.465.5600 • Fax: 770.465.5990
www.heatcrafttrpd.com

